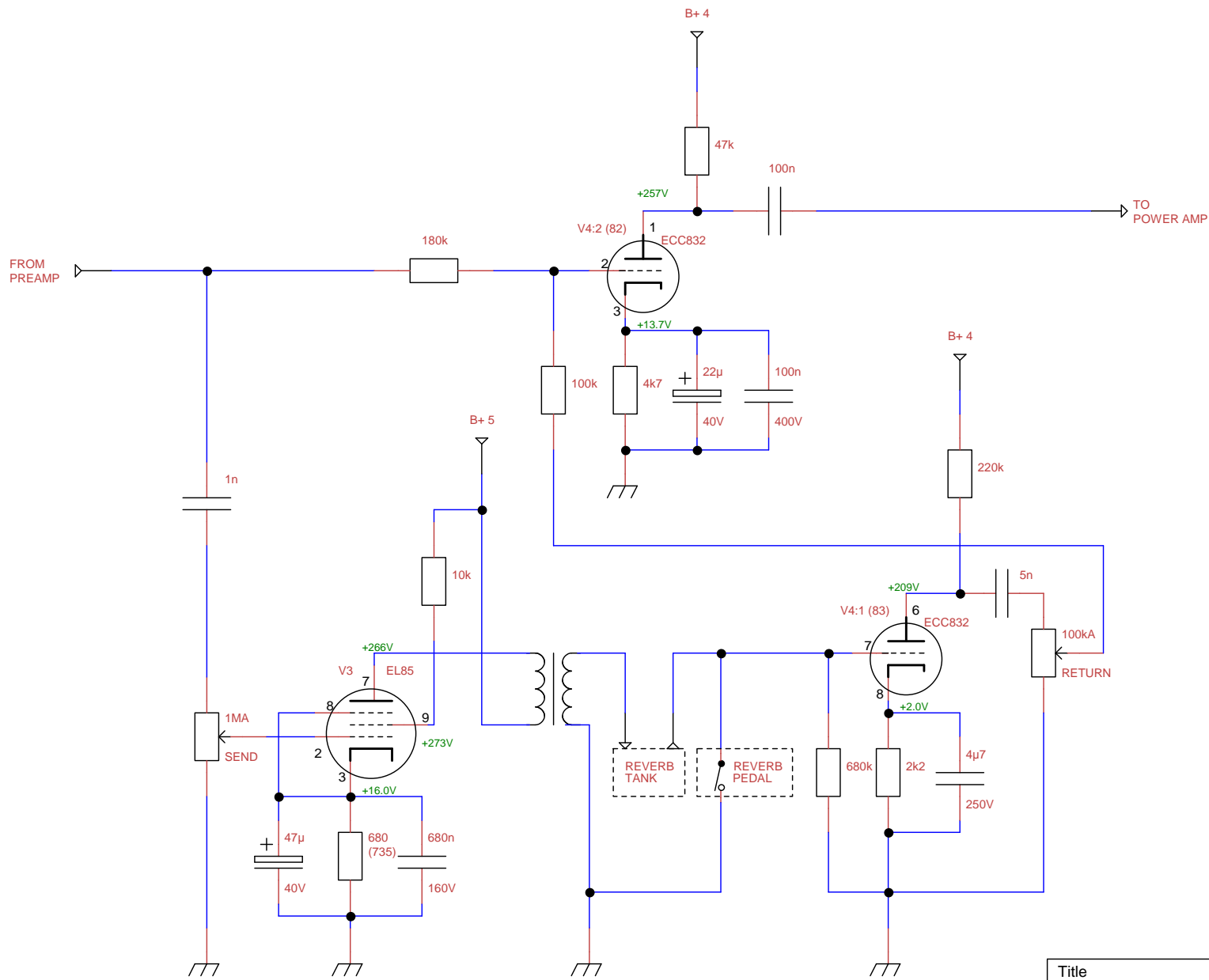
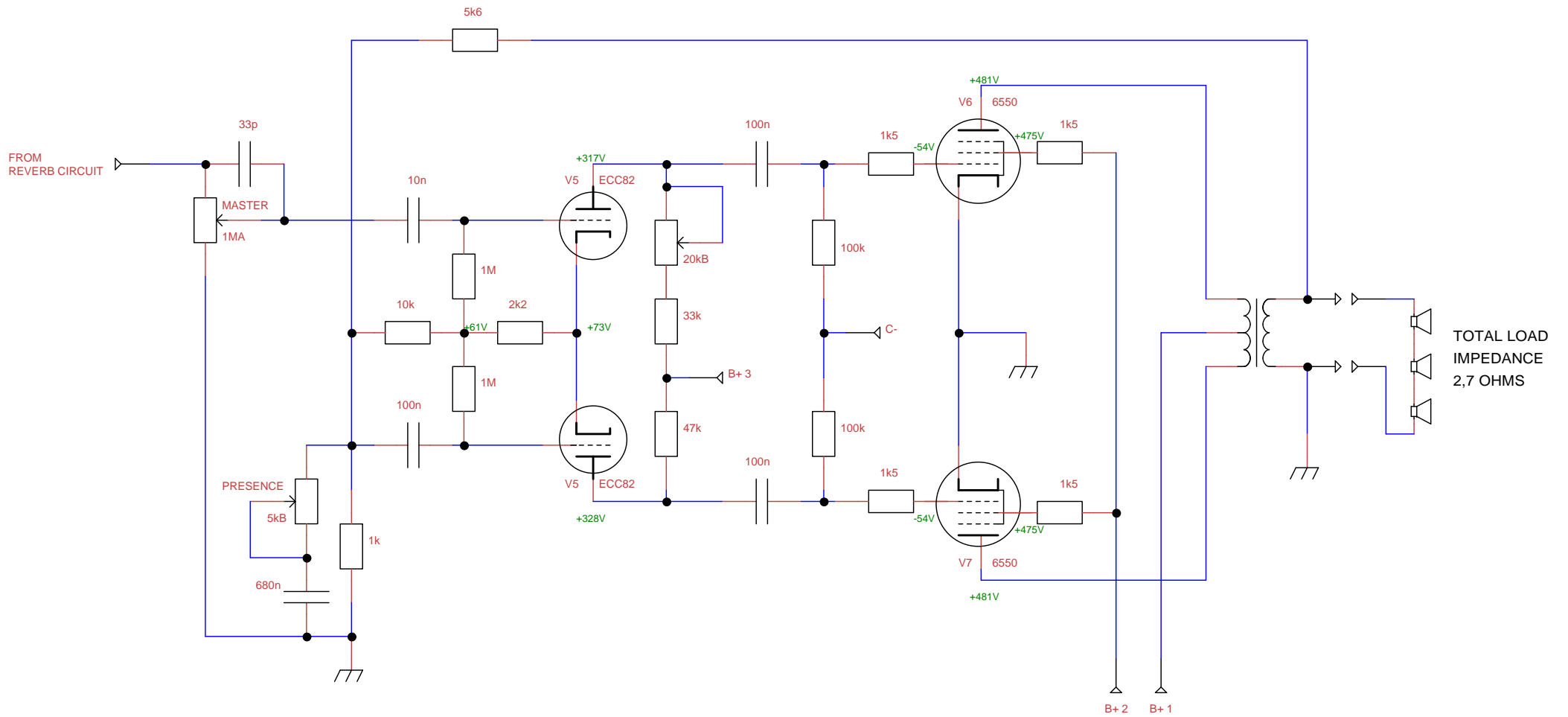


Title ESSJIBE. CLEAN KING. PREAMP		
Author SJB		
File n King v_1_5\Clean King Page 1 Preamp v15.dsn	Document	
Revision 1.5	Date JUNE 24 2007	Sheets 1 of 4

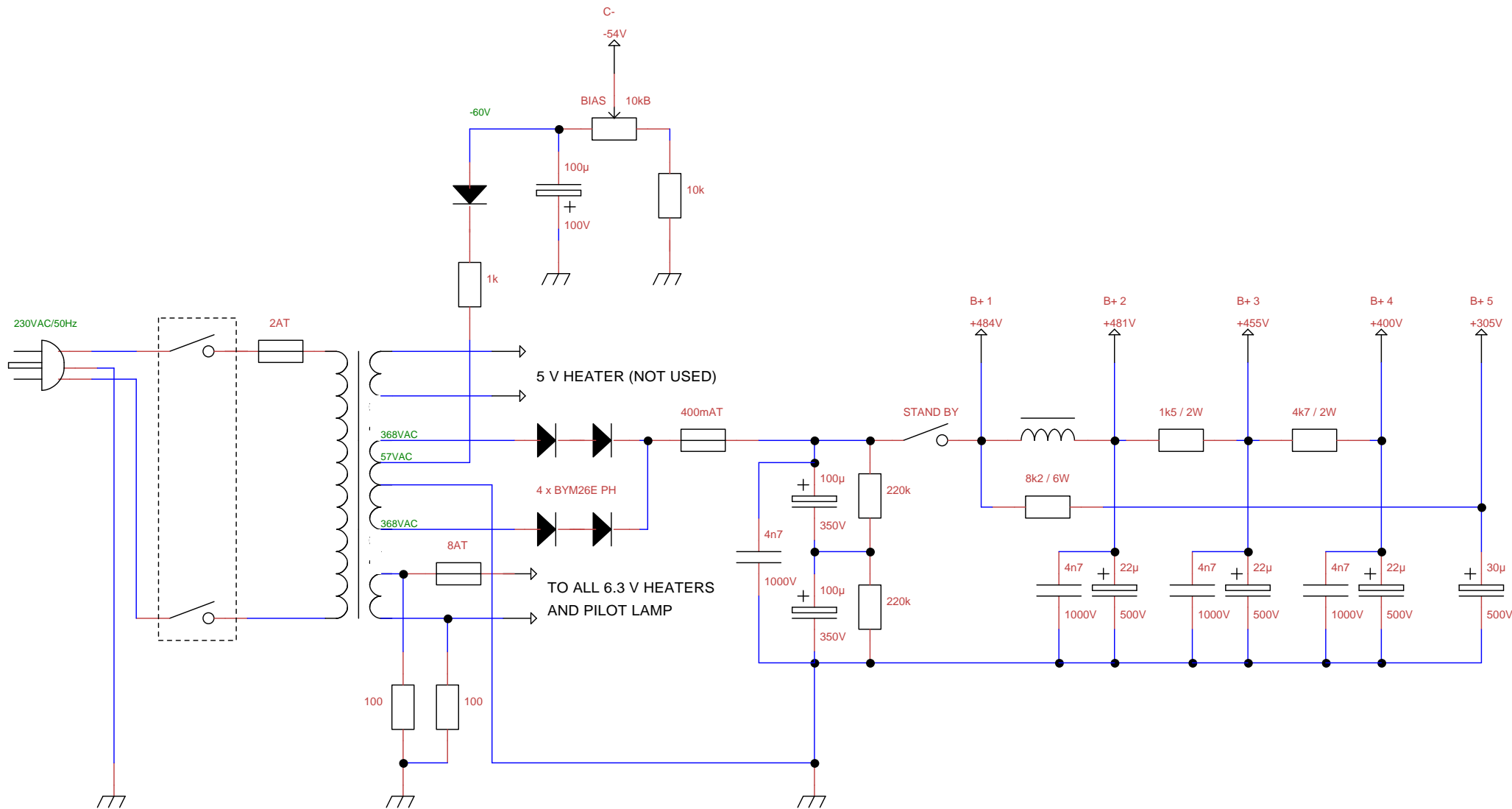


Title		
ESSJIBE. CLEAN KING. REVERB CIRCUIT		
Author		
SJB		
File		Document
an King v_1_5\Clean King Page 2 Reverb v15.dsn		
Revision	Date	Sheets
1.5	JUNE 24 2007	2 of 4



Bias adjusted for 45 - 50 mA plate current for each tube.

Title ESSJIBE. CLEAN KING. POWER AMP		
Author SJB		
File ng v_1_5\Clean King Page 3 Power Amp v15.dsn	Document	
Revision 1.5	Date JUNE 24 2007	Sheets 3 of 4



Title ESSJIBE. CLEAN KING. POWER SUPPLY		
Author SJB		
File _v_1_5\Clean King Page 4 Power Supply v15.dsn	Document	
Revision 1.5	Date JUNE 24 2007	Sheets 4 of 4