

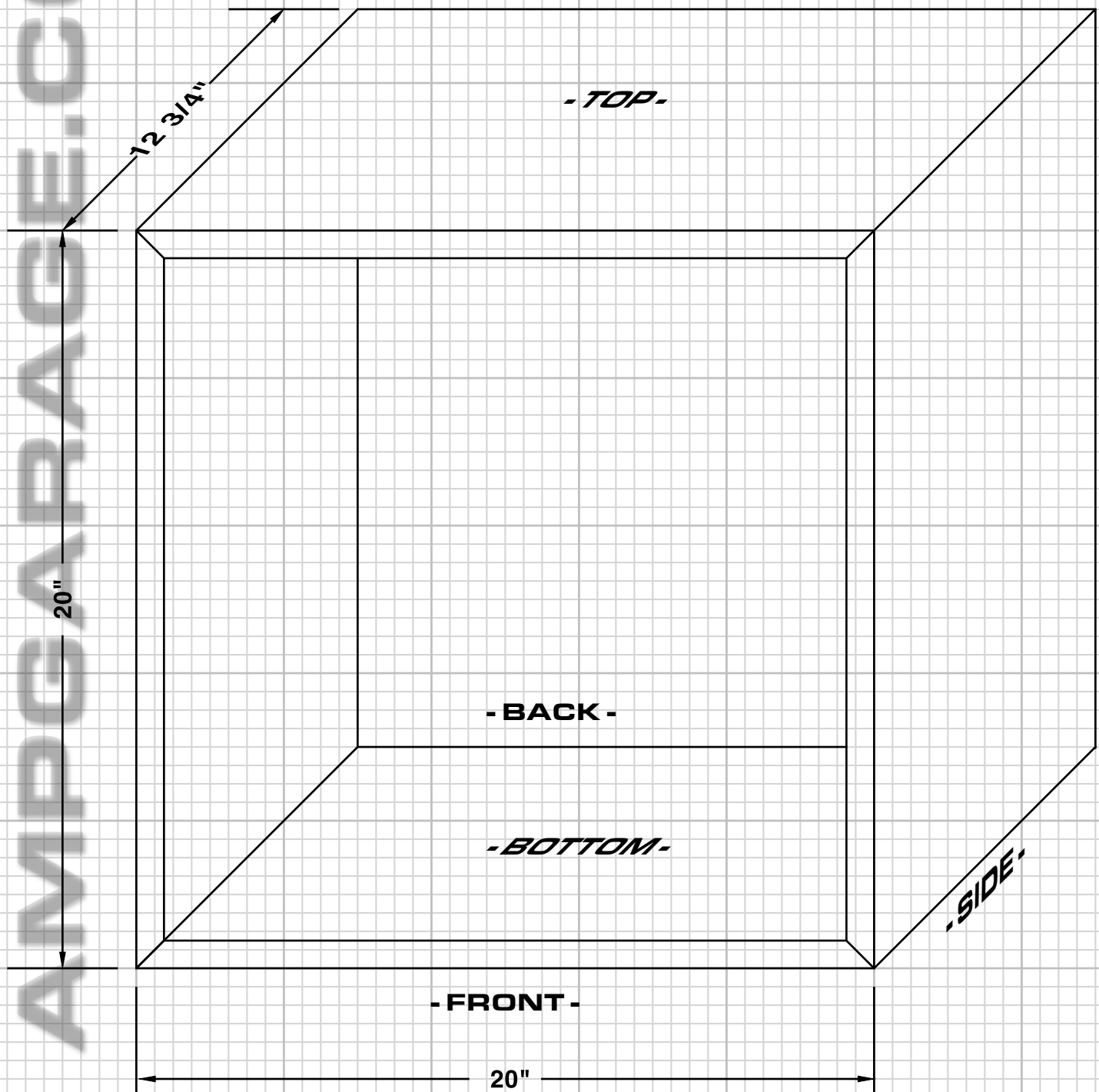
DUMBLE 1x12 SPEAKER CAB

COURTESY OF SKYBOLTONE

1.

BASIC CUBE CONFIGUTRATION

(BRACING NOT SHOWN)



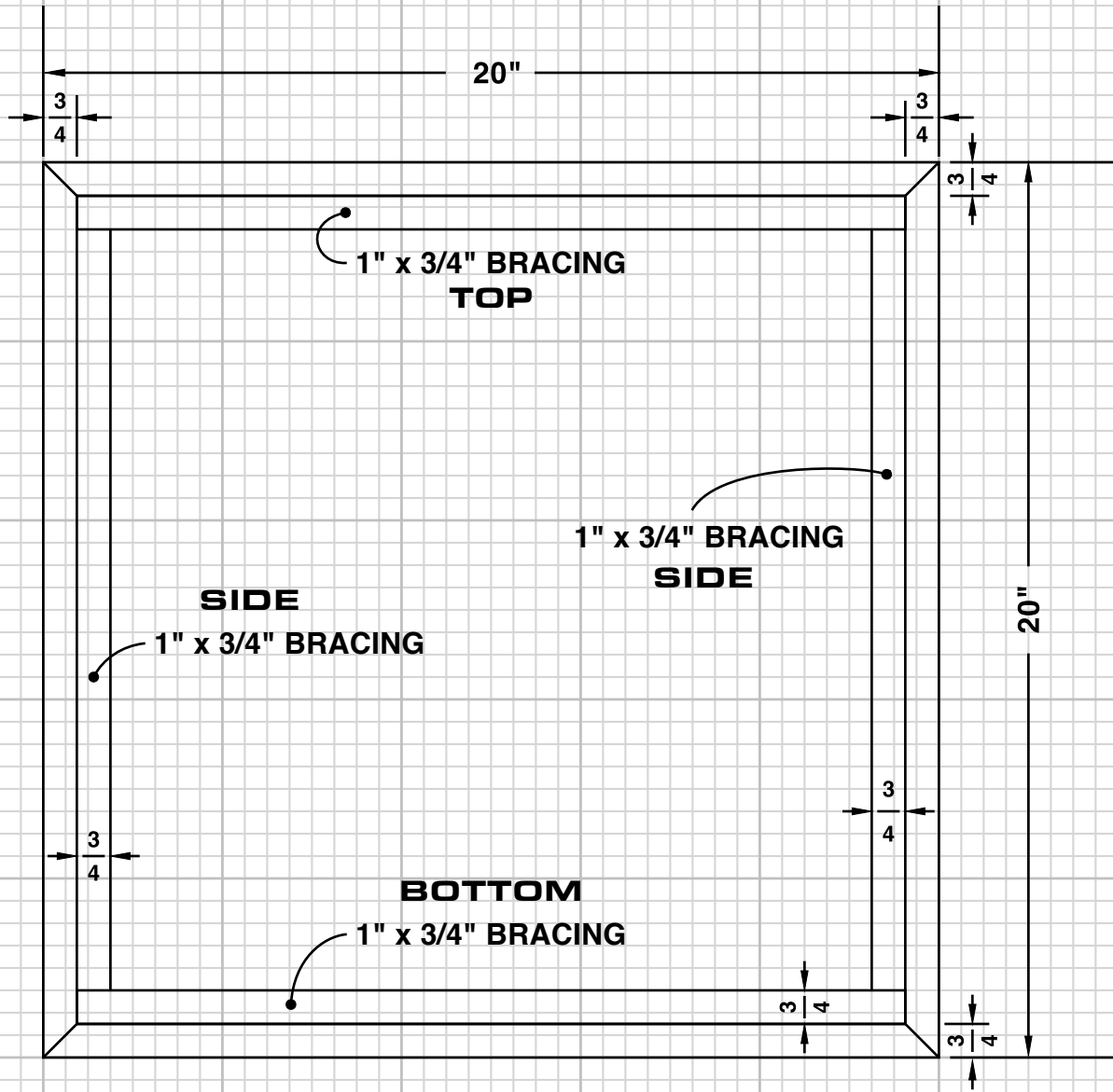
DRAWN BY COLOSSAL
FROM AN ORIGINAL DRAWING BY H.A.D.

DUMBLE 1x12 SPEAKER CAB

COURTESY OF SKYBOLTONE

2

AMPGARAGE.COM



- FRONT VIEW -

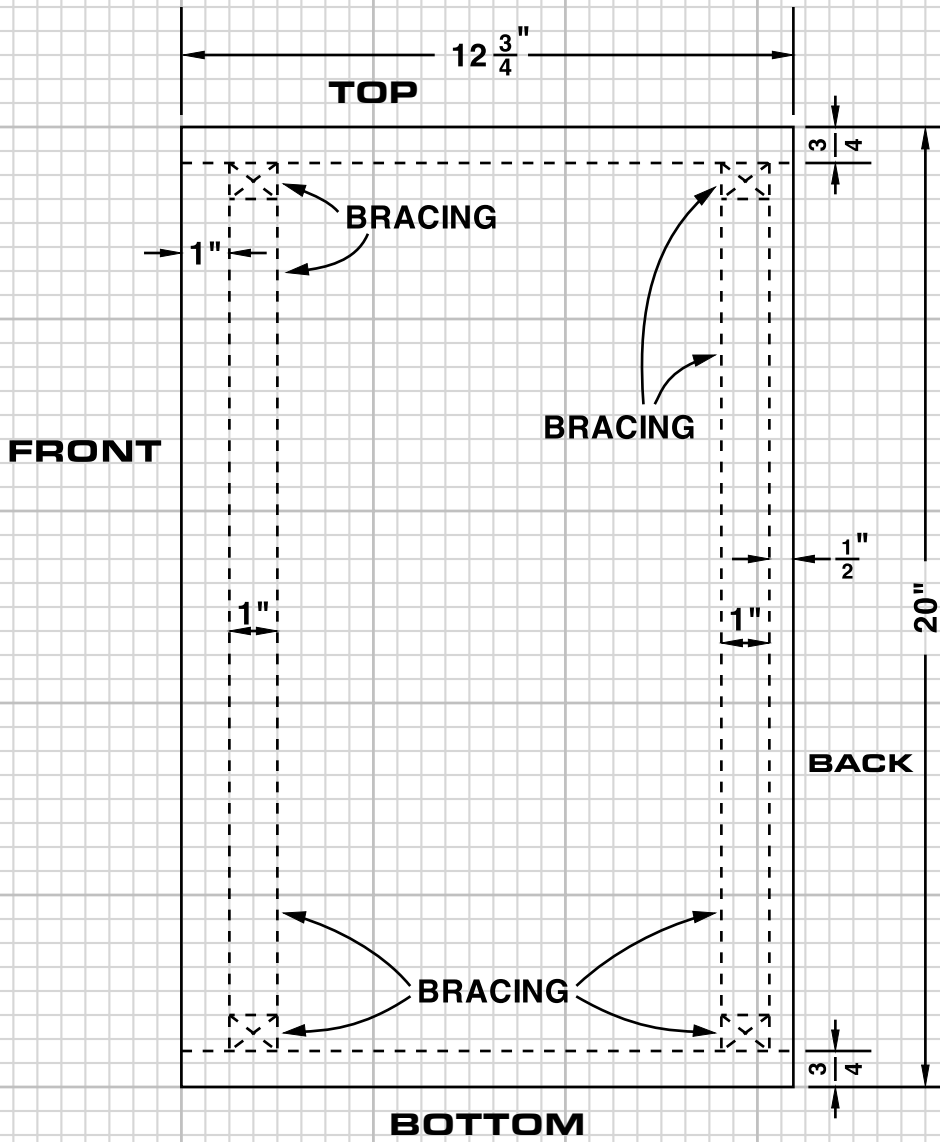
DRAWN BY COLOSSAL
FROM AN ORIGINAL DRAWING BY H.A.D.

DUMBLE 1x12 SPEAKER CAB

COURTESY OF SKYBOLTONE

3.

AMPGARAGE.COM



- SIDE VIEW -

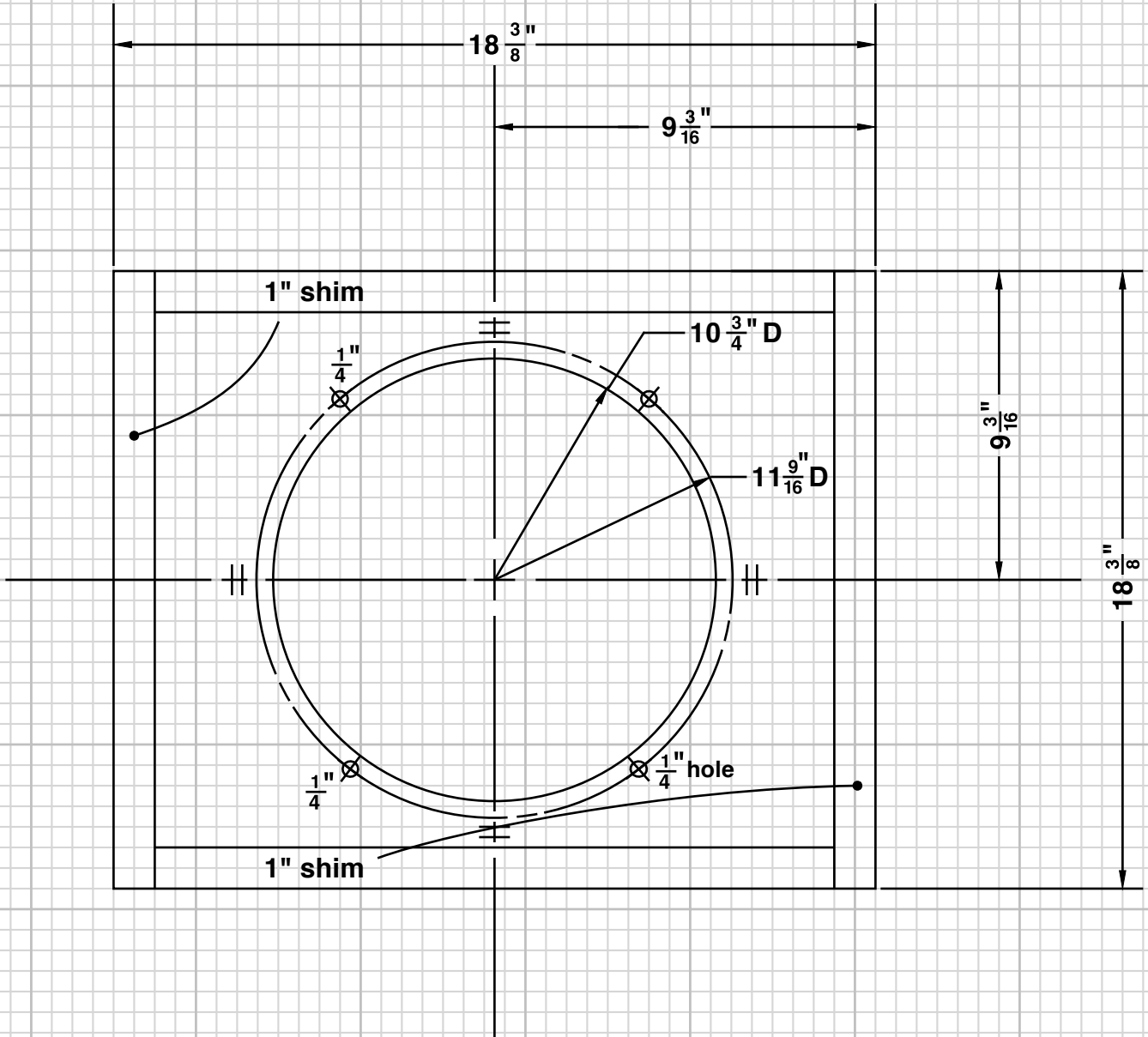
DRAWN BY COLOSSAL
FROM AN ORIGINAL DRAWING BY H.A.D.

DUMBLE 1x12 SPEAKER CAB

COURTESY OF SKYBOLTONE

4

AMPGARAGE.COM



- BAFFLE BOARD -

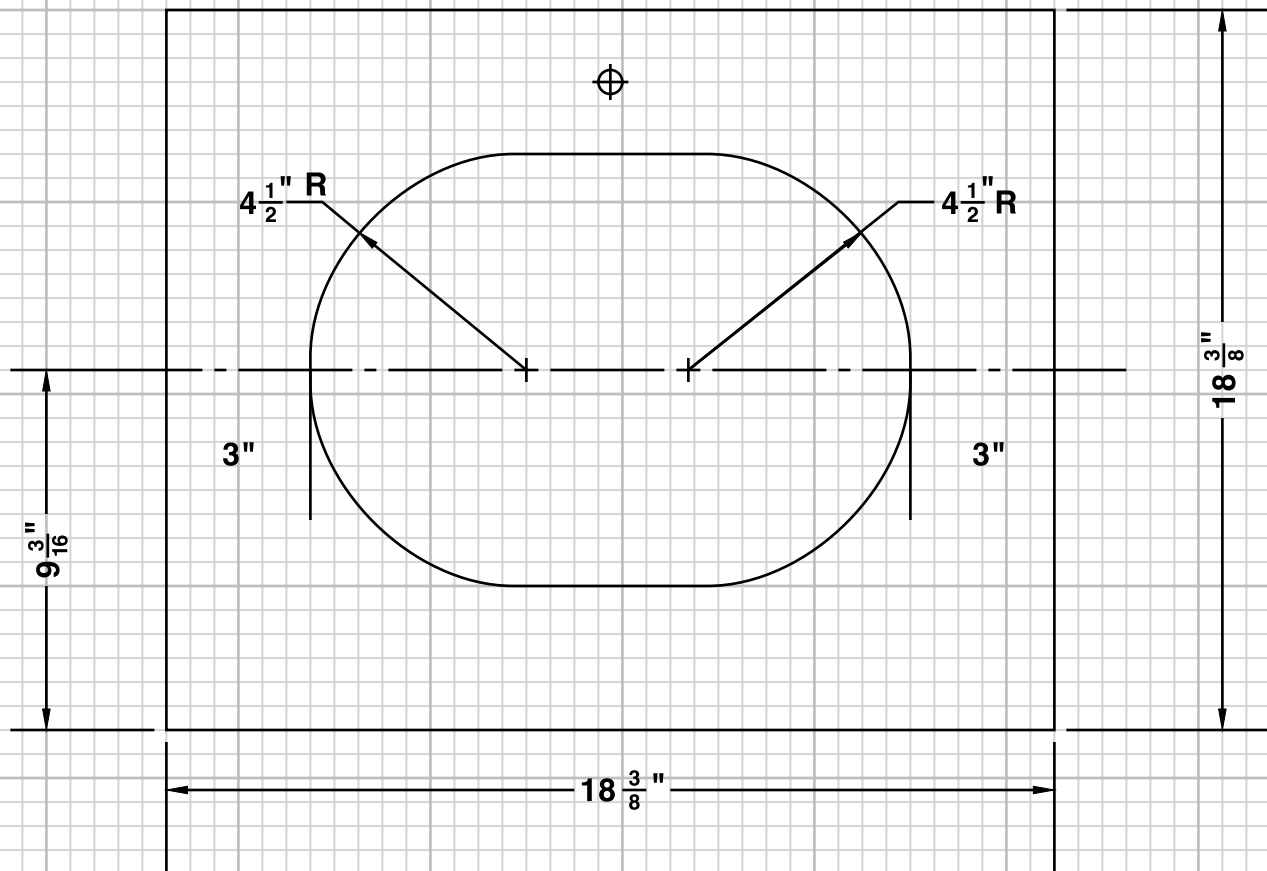
DRAWN BY COLOSSAL
FROM AN ORIGINAL DRAWING BY H.A.D.

DUMBLE 1x12 SPEAKER CAB

COURTESY OF SKYBOLTONE

5

AMPGARAGE.COM



- BACK BOARD -

DRAWN BY COLOSSAL
FROM AN ORIGINAL DRAWING BY H.A.D.

DUMBLE 1x12 SPEAKER CAB

COURTESY OF SKYBOLTONE

6.

- CUT SHEET -

AMPGARAGE.COM

Quantity	Description	Function
2	20" x 12 3/4" x 3/4" STOCK	Top, Bottom, and Two Sides
2	18 1/2" x 12 3/4"	
4	18 7/16" x 1" x 3/4" PINE	Side Braces (Front & Back)
4	16 5/16" x 1" x 3/4" PINE	Top and Bottom Braces (F & B)
1	18 3/8" x 18 3/8" x 1/2" PARTICLE BOARD	Back
1	18 3/8" x 18 3/8" x 5/8" " "	Baffle Board
2	18 3/8" x 1" x 1/8" PLYWOOD	Grille Shims (vertical)
2	16 3/8" x 1" x 1/8" " "	Grille Shims (horizontal)

