

XITS X10

DRAFT

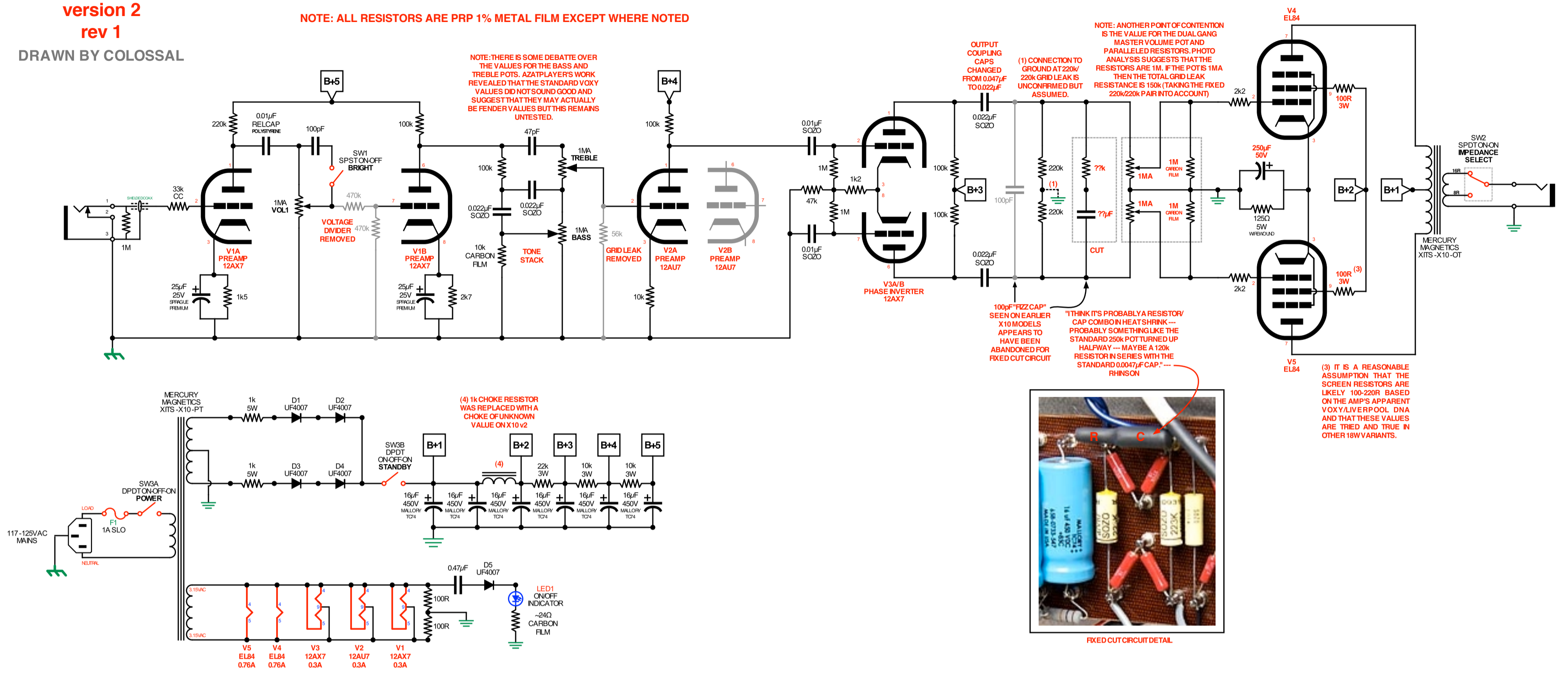
version 2
rev 1

DRAWN BY COLOSSAL

THIS DOCUMENT IS INTENDED FOR ACADEMIC PURPOSES AND FOR THE COMPARITIVE ANALYSIS OF AMPLIFIER DESIGN.

FOR NON-COMMERCIAL USE ONLY!
UPDATED 16 APR 2011

NOTE: ALL RESISTORS ARE PRP 1% METAL FILM EXCEPT WHERE NOTED



RELCAP POLYSTYRENE (VALUE UNKNOWN) LIKELY 470-500pF (SIMILAR TO AN AC30)